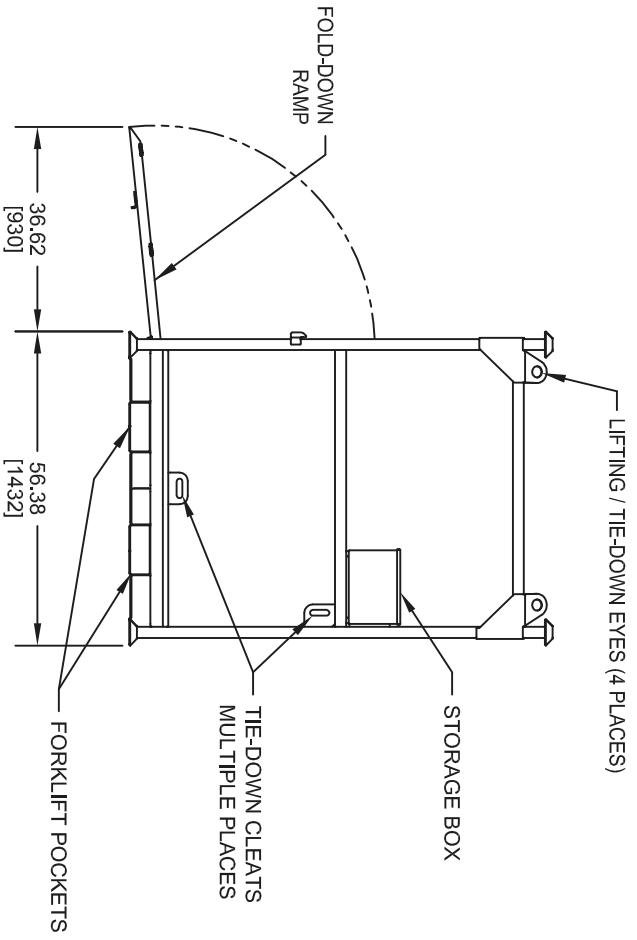
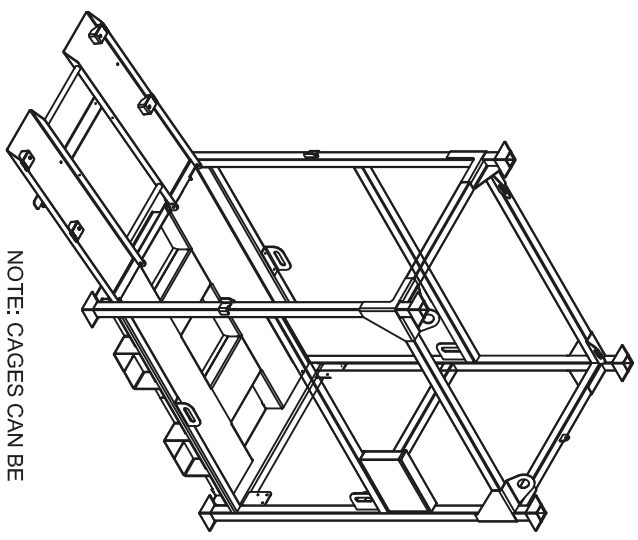


REAR VIEW



SIDE VIEW



NOTE: CAGES CAN BE STACKED ON TOP OF EACH OTHER.

GENERAL NOTES:

- A. UNLESS OTHERWISE NOTED:
1. ALL DIMENSIONS ARE IN INCHES.
EXCEPT "xxxj" = mm.
- B. APPROX WEIGHT: 412 LBS [187 KG].
- C. CAGE IS POWER-COATED BLACK.



Load Banks Direct
www.LoadBanksDirect.com

TEXT SHIPPING CAGE, PORTABLE LOAD BANK
(FOR 300 KW THRU 700 KW VERTICAL LOAD BANKS)

DWG. NO. LP300-700-CAGE-V2-0L REV. - SHEET 1 of 1

DRAWN BY	CHECKD BY	DATE	SIZE
JJF	MMP	10/25/18	A

THIS DRAWING IS PROPERTY OF LOAD BANKS DIRECT AND SHALL REMAIN SO WHILE IN USERS POSSESSION. THE TECHNOLOGY SHOWN HERE IS STRICTLY PROPRIETARY AND IS NOT TO BE DISCLOSED TO ANY 3RD PARTY WITHOUT LOAD BANKS DIRECT PRIOR CONSENT.