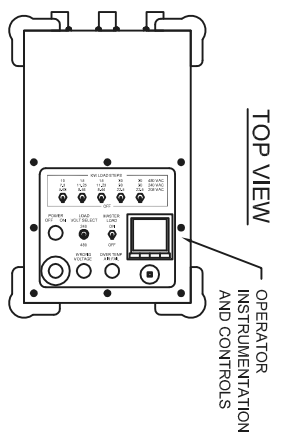
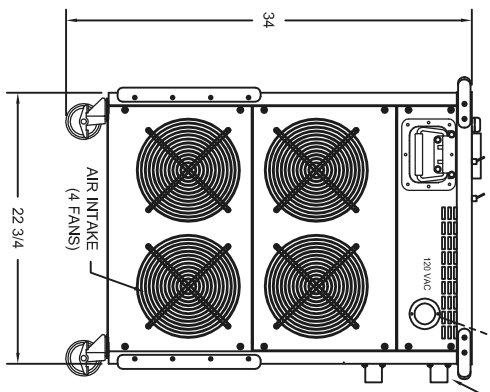


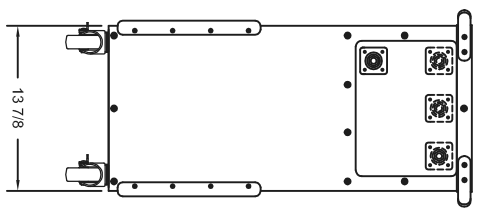
LOAD CONNECTIONS
CAM-LOCK POWER
CONNECTORS



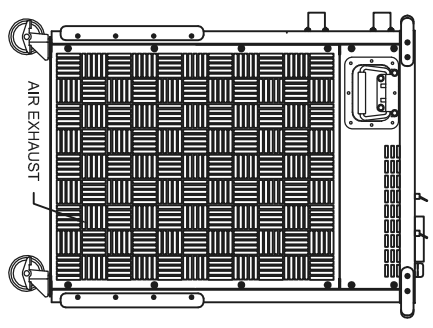
RIGHT VIEW



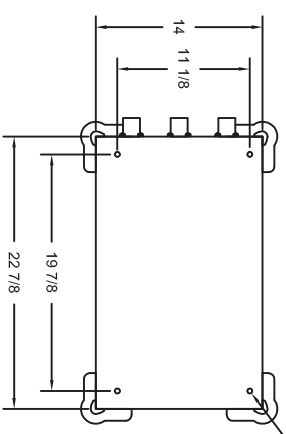
BACK VIEW



LEFT VIEW



BOTTOM VIEW



NOTE: FOR PERMANENT FLOOR MOUNTING, REMOVE
CASTERS AND MOUNT TO FLOOR VIA FLOOR
MOUNT BRACKETS WITH HOLES SHOWN.

GENERAL NOTES:

- A. UNLESS OTHERWISE NOTED:
- 1. ALL DIMENSIONS ARE IN INCHES.
- B. APPROXIMATE WEIGHT: 110 LBS.



Load Banks Direct
www.LoadBanksDirect.com

TEXT		REV.		SHEET		DATE		SIZE	
DWG. NO. LP100-01		-		1 of 2		8/16/13		A	
DRAWN BY JUF		CHECKD BY MMP							
LOAD BANK, 100KW									

THIS DRAWING IS PROPERTY OF LOAD BANKS DIRECT AND SHALL REMAIN SO WHILE IN USER'S POSSESSION. THE TECHNOLOGY SHOWN HERE IS STRICTLY PROPRIETARY AND IS NOT TO BE DISCLOSED TO ANY 3RD PARTY WITHOUT LOAD BANKS DIRECT PRIOR CONSENT.